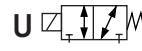
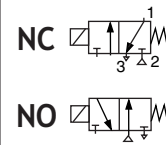




Direct Acting
General Service Solenoid Valves
 Brass or Stainless Steel Bodies
 1/8" and 1/4" NPT



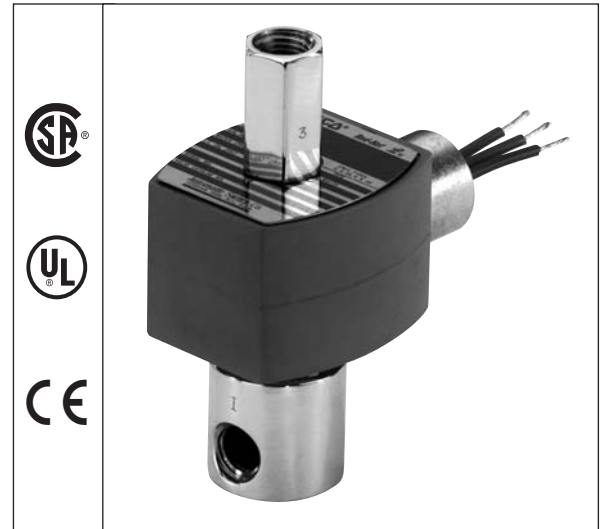
3/2
 SERIES
8314

Features

- No minimum operating pressure required.
- The original 3 way valve design.
- High-speed general service.
- Simplest valve for basic 3 way piloting operation, only a spring and two moving parts.
- Moderate flow pilots, smaller control valves and actuators.
- Can also be used for low-volume fluid diversion.

Construction

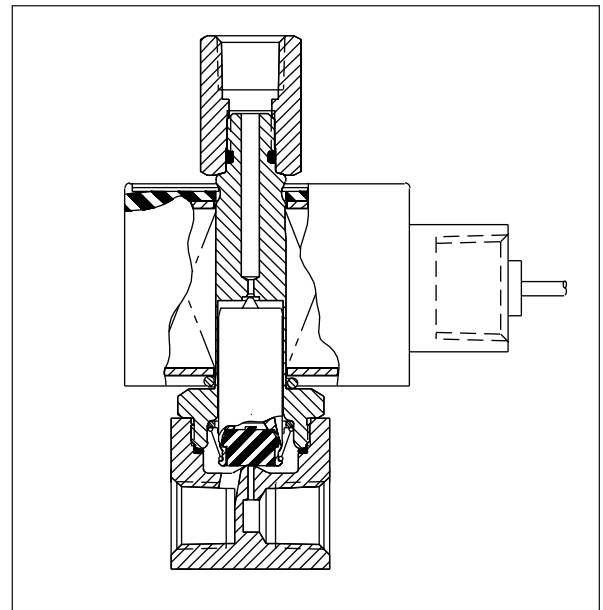
Valve Parts in Contact with Fluids		
Body	Brass	303 Stainless Steel
Seals and Disc	NBR, PA	
Core Tube	305 Stainless Steel	
Core and Plugnut	430F Stainless Steel	
Core Springs	302 Stainless Steel and 17-7PH Stainless Steel	
Shading Coil	Copper	Silver
Core Guide	CA (All AC valves and 1/8" orifice Normally Open DC valves)	



Electrical

Standard Coil and Class of Insulation	Watt Rating and Power Consumption				Spare Coil Part Number			
	DC Watts	AC			General Purpose		Explosionproof	
		Watts	VA Holding	VA Inrush	AC	DC	AC	DC
F	11.6	10.1	25	50	238610	238710	238614	238714

Standard Voltages: 24, 120, 240, 480 volts AC, 60 Hz (or 110, 220 volts AC, 50 Hz).
 6, 12, 24, 120, 240 volts DC. Must be specified when ordering. Other voltages are available when required.



Solenoid Enclosures

Standard: Watertight, Types 1, 2, 3, 3S, 4, and 4X.
Optional: Explosionproof and Watertight, Types 3, 3S, 4, 4X, 6, 6P, 7, and 9.
 (To order, add prefix "EF" to catalog number.)
See Optional Features Section for other available options.

Nominal Ambient Temperature Ranges:

AC: 32°F to 125°F (0°C to 52°C)
 DC: 32°F to 104°F (0°C to 40°C)

Refer to Engineering Section for details.

Approvals:

CSA certified. UL listed General Purpose Valves. Meets applicable CE directives.

Refer to Engineering Section for details.

Specifications (English units)

Pipe Size (ins.)	Orifice Size (ins.)	Cv Flow Factor	Operating Pressure Differential (psi)						Max. Fluid Temp. °F		Brass Body		Stainless Steel Body		Watt Rating/ Class of Coil Insulation	
			Max. AC			Max. DC			AC	DC	Catalog Number	Constr. Ref. No.	Catalog Number	Constr. Ref. No.	AC	DC
			Air-Inert Gas	Water	Lt. Oil @ 45 SSU	Air-Inert Gas	Water	Lt. Oil @ 45 SSU								
UNIVERSAL OPERATION (Pressure at any port)																
1/8	3/64	.04	160	160	160	70	65	65	200	104	8314G41	1	-	-	10.1/F	11.6/F
1/4	3/64	.04	160	160	160	70	65	65	200	104	8314G6	2	-	-	10.1/F	11.6/F
1/4	3/32	.15	80	40	40	35	35	15	200	104	8314G7	2	8314G120	4	10.1/F	11.6/F
1/4	1/8	.25	45	25	25	20	15	15	200	104	8314G8	2	-	-	10.1/F	11.6/F
NORMALLY CLOSED (Closed when de-energized)																
1/8	3/64	.04	230	230	230	120	140	135	200	104	8314G31	1	-	-	10.1/F	11.6/F
1/4	3/64	.04	230	230	230	120	140	135	200	104	8314G34	2	-	-	10.1/F	11.6/F
1/4	3/32	.15	150	100	100	60	70	30	200	104	8314G35	2	8314G121	4	10.1/F	11.6/F
1/4	1/8	.25	75	60	60	30	40	25	200	104	8314G36	2	-	-	10.1/F	11.6/F
NORMALLY CLOSED (Closed when de-energized), Air Only - Exhausts to Atmosphere																
1/4	3/64	.04	230	-	-	120	-	-	200	104	8314G22	3	-	-	10.1/F	11.6/F
1/4	3/32	.15	150	-	-	60	-	-	200	104	8314G23	3	-	-	10.1/F	11.6/F
NORMALLY OPEN (Open when de-energized)																
1/8	3/64	.04	300	300	300	200	200	120	200	104	8314G49	1	-	-	10.1/F	11.6/F
1/4	3/32	.15	175	175	175	70	90	45	200	104	8314G53	2	8314G122	4	10.1/F	11.6/F
1/4	1/8	.25	90	90	90	40	40	25	200	104	8314G54	2	-	-	10.1/F	11.6/F

Specifications (Metric units)

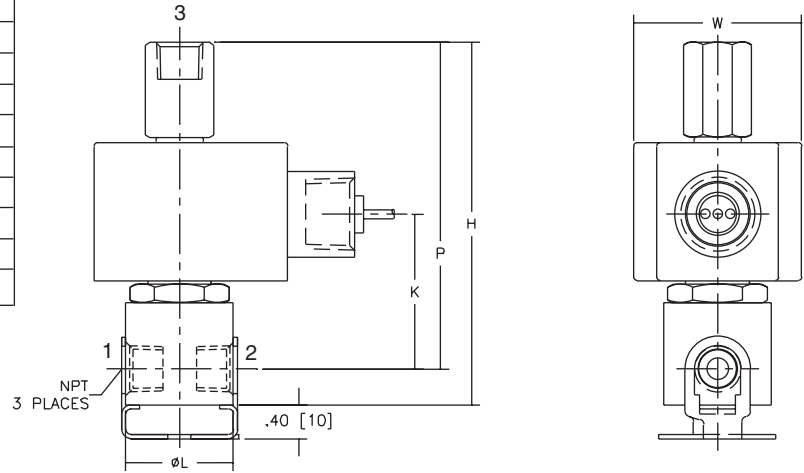
Pipe Size (ins.)	Orifice Size (mm)	Kv Flow Factor (m3/h)	Operating Pressure Differential (bar)						Max. Fluid Temp. °C		Brass Body		Stainless Steel Body		Watt Rating/ Class of Coil Insulation	
			Max. AC			Max. DC			AC	DC	Catalog Number	Constr. Ref. No.	Catalog Number	Constr. Ref. No.	AC	DC
			Air-Inert Gas	Water	Lt. Oil @ 45 SSU	Air-Inert Gas	Water	Lt. Oil @ 45 SSU								
UNIVERSAL OPERATION (Pressure at any port)																
1/8	1	.03	11	11	11	5	4	4	92	40	8314G41	1	-	-	10.1/F	11.6/F
1/4	1	.03	11	11	11	5	4	4	92	40	8314G6	2	-	-	10.1/F	11.6/F
1/4	2	.13	6	3	3	2	2	1	92	40	8314G7	2	8314G120	4	10.1/F	11.6/F
1/4	3	.21	3	2	2	1	1	1	92	40	8314G8	2	-	-	10.1/F	11.6/F
NORMALLY CLOSED (Closed when de-energized)																
	1	.03	16	16	16	8	10	9	92	40	8314G31	1	-	-	10.1/F	11.6/F
1/4	1	.03	16	16	16	8	10	9	92	40	8314G34	2	-	-	10.1/F	11.6/F
1/4	2	.13	10	7	7	4	5	2	92	40	8314G35	2	8314G121	4	10.1/F	11.6/F
1/4	3	.21	5	4	4	2	3	2	92	40	8314G36	2	-	-	10.1/F	11.6/F
NORMALLY CLOSED (Closed when de-energized), Air Only - Exhausts to Atmosphere																
1/4	1	.03	16	-	-	8	-	-	92	40	8314G22	3	-	-	10.1/F	11.6/F
1/4	2	.13	10	-	-	4	-	-	92	40	8314G23	3	-	-	10.1/F	11.6/F
NORMALLY OPEN (Open when de-energized)																
1/8	1	.03	21	21	21	14	14	8	92	40	8314G49	1	-	-	10.1/F	11.6/F
1/4	2	.13	12	12	12	5	6	3	92	40	8314G53	2	8314G122	4	10.1/F	11.6/F
1/4	3	.21	6	6	6	3	3	2	92	40	8314G54	2	-	-	10.1/F	11.6/F

Dimensions: inches (mm)

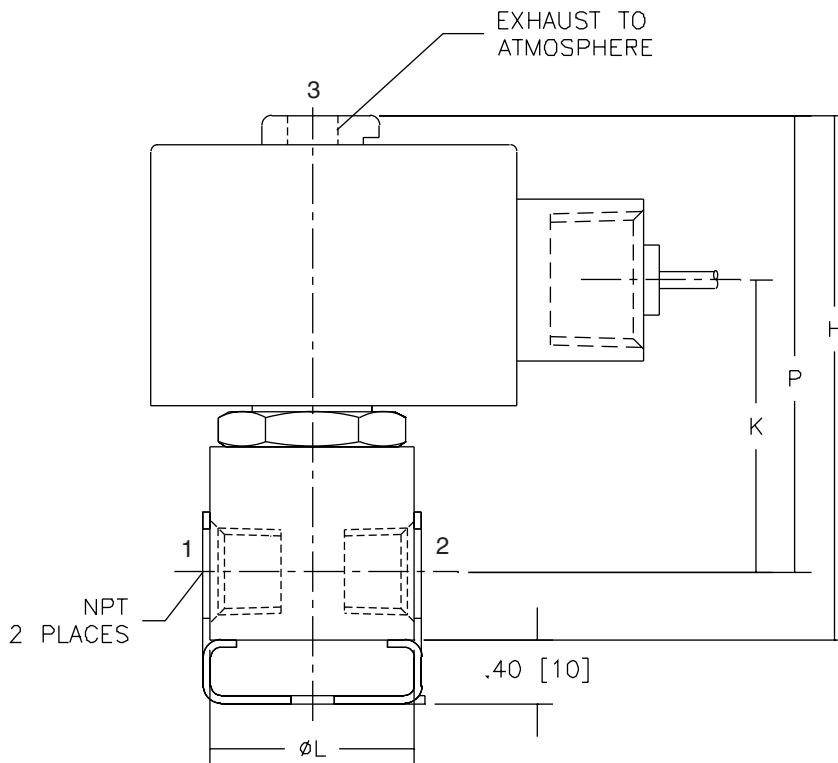
Constr. Ref. No.		H	K	L	P	W
1	ins.	3.87	1.67	Ø1.19	3.51	1.95
	mm	98	42	Ø30	89	50
2	ins.	4.21	1.80	Ø1.25	3.79	1.95
	mm	107	46	Ø32	96	50
3	ins.	3.34	1.80	Ø1.25	2.92	1.95
	mm	85	46	Ø32	74	50
4	ins.	4.14	1.78	Ø1.63	3.77	1.95
	mm	105	45	Ø41	96	50

IMPORTANT: Valves can be mounted in any position.

Constr. Ref. 1, 2, 4



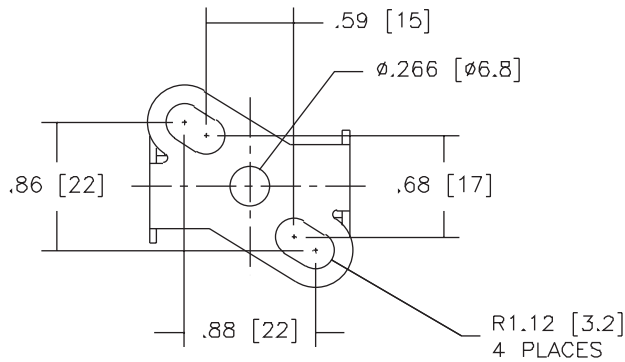
Constr. Ref. 3



Dimensions: inches (mm)

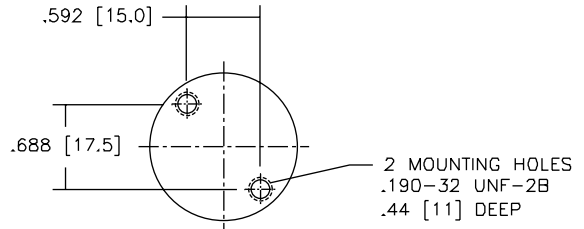
Constr. Ref. 2, 3, 4

Mounting Bracket Standard
1/4 NPT Size only

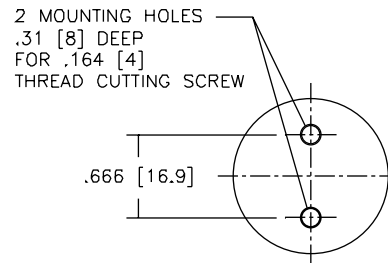


Mounting Holes in Valve Body

Constr. Ref. 1



Constr. Ref. 2, 3



FLOW DIAGRAMS

