

### Features

- Mount directly to spring return actuators with NAMUR interface.
- Same poppet valve performance as in standard 8320 valves.
- Integral breather block prevents ingestion of contaminants or corrosives.
- Variety of flow and pressure ratings.
- Mountable in any position.

### Construction

Valve Parts in Contact with Fluids		
Body	Brass	303 Stainless Steel
Seals and Disc	NBR	
Core Tube	305 Stainless Steel	
Core and Plugnut	430F Stainless Steel	
Core Springs	302 Stainless Steel	
Shading Coil	Copper	Silver
Disc-Holder	CA	
Core Guide	CA (10.1 and 17.1 watts only)	

### Electrical

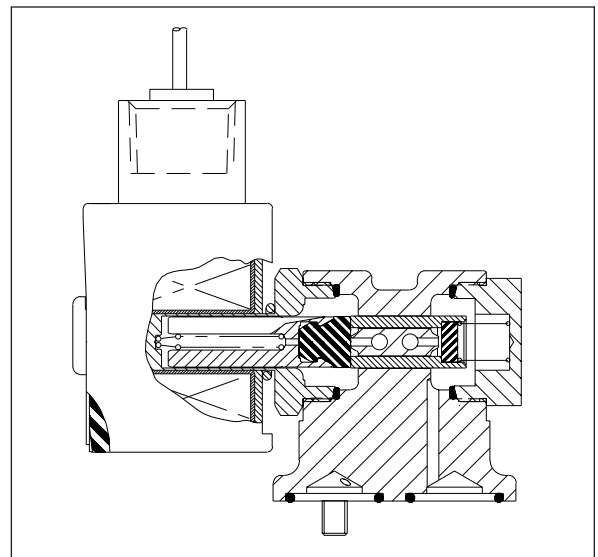
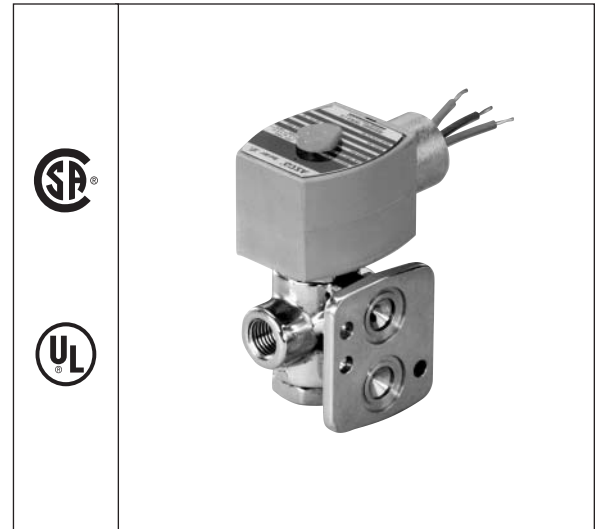
Standard Coil and Class of Insulation	Watt Rating and Power Consumption				Spare Coil Part Number			
	DC Watts	AC			General Purpose		Explosionproof	
		Watts	VA Holding	VA Inrush	AC	DC	AC	DC
F	10.6	6.1	16	30	238210	238310	238214	238314
F	11.6	10.1	25	50	238610	238710	238614	238714
F	22.6	17.1	40	70	238610	238710	238614	238714

**Standard Voltages:** 24, 120, 240, 480 volts AC, 60 Hz (or 110, 220 volts AC, 50 Hz). 6, 12, 24, 120, 240 volts DC. Must be specified when ordering. Other voltages are available when required.

**Special Construction:** Dual solenoid construction for redundant controls and dribble control available. *Consult your local ASCO sales office for details.*

### Solenoid Enclosures

**Standard:** Watertight, Types 1, 2, 3, 3S, 4, and 4X.  
**Optional:** Explosionproof and Watertight, Types 3, 3S, 4, 4X, 6, 6P, 7, and 9.  
 (To order, add prefix "EF" to catalog number.)  
*See Optional Features Section for other available options.*



### Nominal Ambient Temperature Ranges:

AC: -40°F to 125°F (-40°C to 52°C)

DC: -40°F to 104°F (-40°C to 40°C)

When used at temperatures below 32°F (0°C), media must be moisture free.

*Please contact ASCO sales office for details.*

### Approvals:

UL component and CSA certified.

*Refer to Engineering Section for details.*

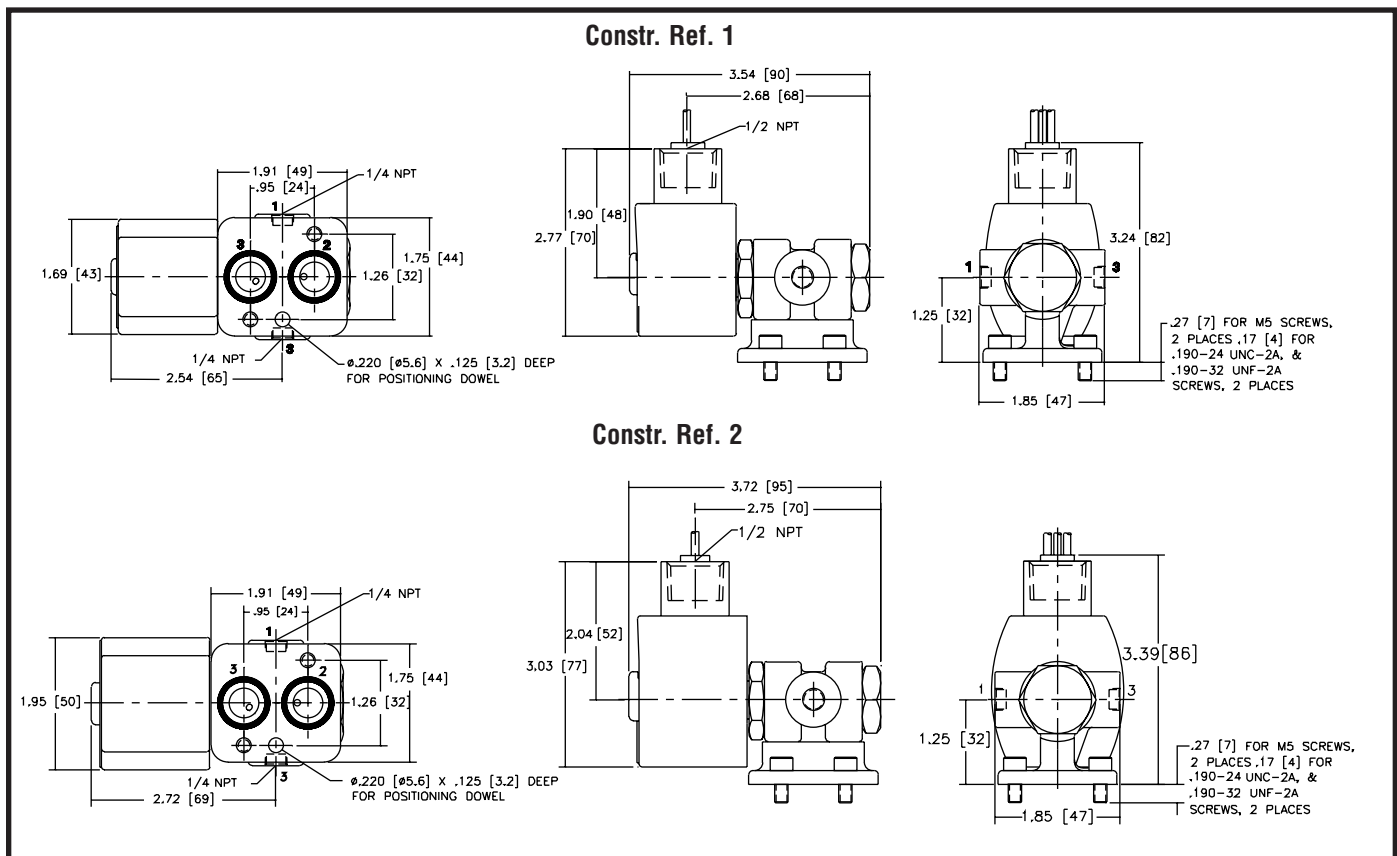
Specifications (English units)

Pipe Size (ins.)	Orifice Size (ins.)	Cv Flow Factor	Maximum Operating Pressure Differential (psi) Air-Inert Gas		Max. Fluid Temp. °F		Brass Body	Stainless Steel Body	Constr. Ref. No.	Watt Rating/Class of Coil Insulation	
			Max. AC	Max. DC	AC	DC	Catalog Number	Catalog Number		AC	DC
<b>NORMALLY CLOSED (Closed when de-energized)</b>											
1/4	1/16	.09	150	125	180	120	8320G701	8320G711	1	6.1/F	10.6/F
1/4	3/32	.12	100	100	180	120	8320G702	8320G712	1	6.1/F	10.6/F
1/4	1/16	.09	210	160	200	150	8320G703	8320G713	2	17.1/F	11.6/F
1/4	3/32	.12	150	150	200	150	8320G704	8320G714	2	10.1/F	22.6/F
1/4	1/8	.21	100	-	200	-	8320G705	8320G715	2	17.1/F	-

Specifications (Metric units)

Pipe Size (ins.)	Orifice Size (mm)	Kv Flow Factor (m3/h)	Maximum Operating Pressure Differential (bar) Air-Inert Gas		Max. Fluid Temp. °C		Brass Body	Stainless Steel Body	Constr. Ref. No.	Watt Rating/Class of Coil Insulation	
			Max. AC	Max. DC	AC	DC	Catalog Number	Catalog Number		AC	DC
<b>NORMALLY CLOSED (Closed when de-energized)</b>											
1/4	2	.08	10	9	81	48	8320G701	8320G711	1	6.1/F	10.6/F
1/4	2	.10	7	7	81	48	8320G702	8320G712	1	6.1/F	10.6/F
1/4	2	.08	14	11	92	65	8320G703	8320G713	2	17.1/F	11.6/F
1/4	2	.10	10	10	92	65	8320G704	8320G714	2	10.1/F	22.6/F
1/4	3	.18	7	-	92	-	8320G705	8320G715	2	17.1/F	-

Dimensions: inches (mm)



## Features

- NAMUR direct mount construction.
- Balanced Poppet construction provides high flow with low power consumption.
- PTFE rider rings and graphite-filled PTFE seals reduce friction and eliminate sticking for long life.
- No minimum pressure required.
- Tamperproof no-voltage release manual reset provides added safety.
- AC/DC interchangeable.

## Construction

Valve Parts in Contact with Fluids		
Body	Aluminum	316 Stainless Steel
Seals and Discs	VMQ	
	NBR	FKM
Core Tube	305 Stainless Steel	
Stem and Insert	303 Stainless Steel	
Core and Plugnut	430F Stainless Steel	
Springs	302 Stainless Steel	
Rider Rings	PTFE	

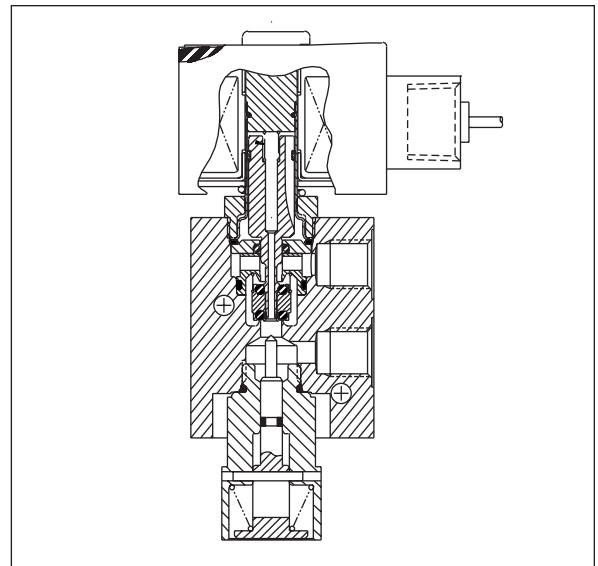
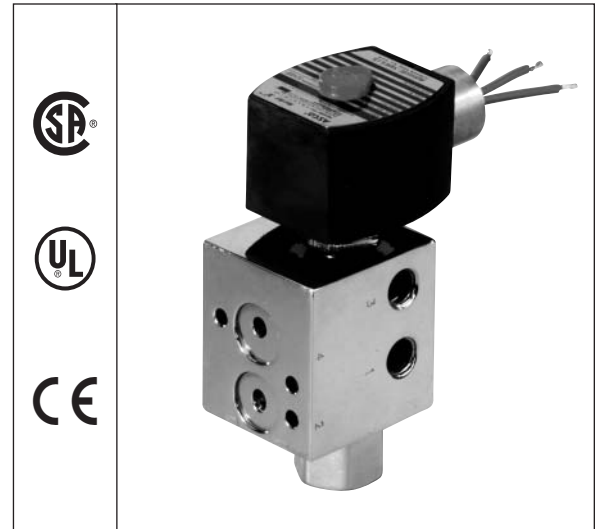
## Electrical

Standard Coil and Class of Insulation	Watt Rating and Power Consumption				Spare Coil Part Number			
					General Purpose		Explosionproof	
	DC Watts	AC			AC	DC	AC	DC
F		11.6	12	12				

**Standard Voltages:** 24, 120, 240, 480 volts AC, 60 Hz. 6, 12, 24, 120, 240 volts DC. Must be specified when ordering. Other voltages are available when required.

## Solenoid Enclosures

**Standard:** Watertight, Types 1, 2, 3, 3S, 4, and 4X.  
**Optional:** Explosionproof and Watertight, Types 3, 3S, 4, 4X, 6, 6P, 7, and 9.  
 (To order, add prefix "EF" or, for Explosionproof Stainless Steel trim and hub on Aluminum-Bodied valves, add "EV" to catalog number.)  
*See Optional Features Section for other available options.*



## Nominal Ambient Temperature Ranges:

8327G33 and 35: -4°F to +131°F (-20°C to +55°C)

8327G53 and 55: -40°F to +131°F (-40°C to +55°C)

*Refer to Engineering Section for details.*

## Approvals:

General Purpose Solenoid: UL recognized component, CSA certified.

Explosionproof Solenoid: UL listed solenoid. CSA certified for use in hazardous locations.

Meets applicable CE directives.

*Refer to Engineering Section for details.*

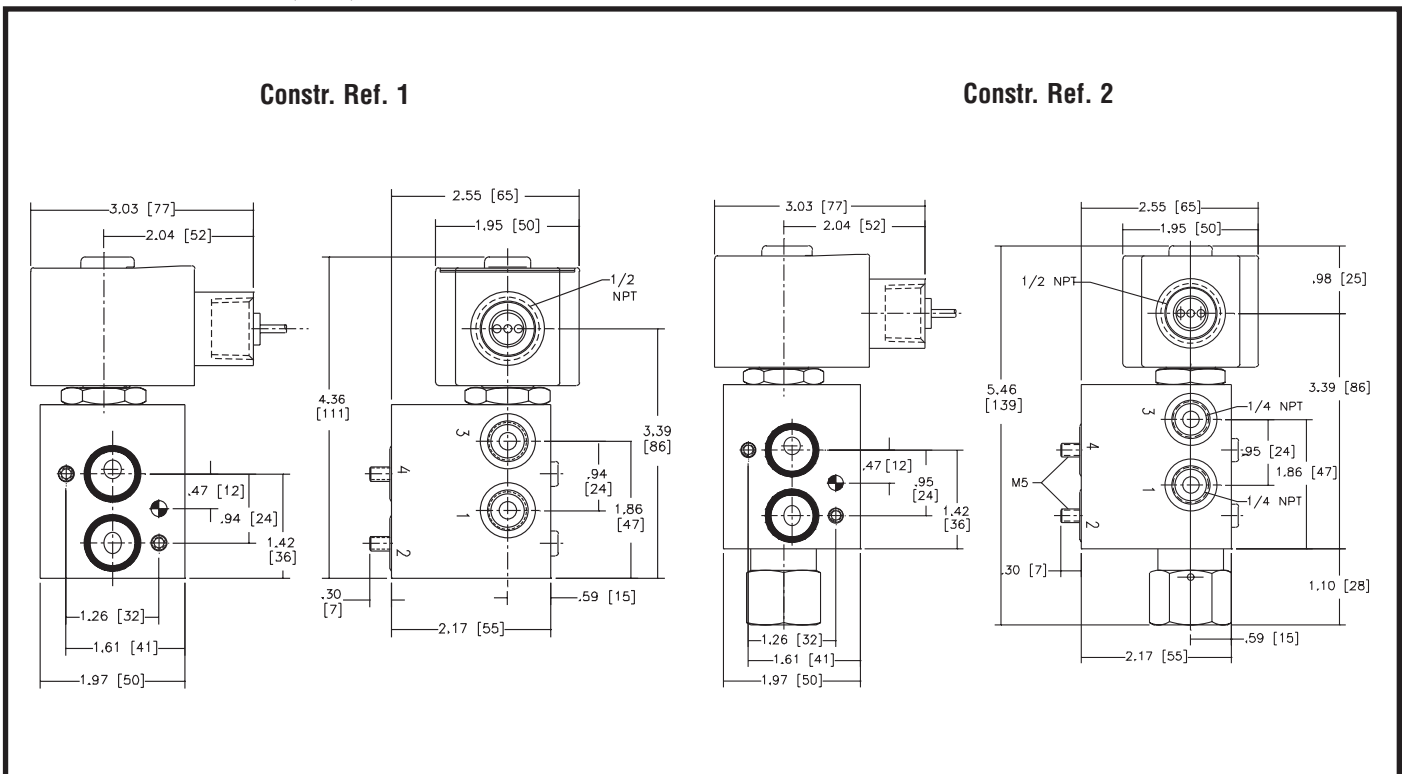
Specifications (English units)

Pipe Size (ins.)	Orifice Size (ins.)	Cv Flow Factor		Maximum Operating Pressure Diff. (psi)		Fluid Temp. Range Deg. °F	Aluminum Body	Stainless Steel Body	Constr. Ref. No.	Watt Rating/ Class of Coil Insulation	
		Ports 1-2	Ports 2-3	Air-Inert Gas	Catalog Number		Catalog Number	AC		DC	
<b>NORMALLY CLOSED - Low-Temperature Operation</b>											
1/4	1/4	.52	.53	150	-40 to 104	8327G53	EV8327G55	1	12.0/F	11.6/F	
<b>NORMALLY CLOSED MANUAL RESET - Tamperproof No-Voltage Release</b>											
1/4	1/4	.62	.43	150	-4 to 176	8327G33	--	2	12.0/F	11.6/F	
1/4	1/4	.62	.43	150	-4 to 248	--	EV8327G35	2	12.0/F	11.6/F	

Specifications (Metric units)

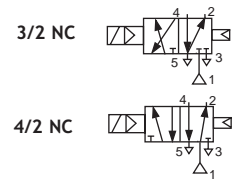
Pipe Size (ins.)	Orifice Size (mm)	Kv Flow Factor (m3/h)		Maximum Operating Pressure Diff. (bar)		Fluid Temp. Range Deg. °C	Aluminum Body	Stainless Steel Body	Constr. Ref. No.	Watt Rating/ Class of Coil Insulation	
		Ports 1-2	Ports 2-3	Air-Inert Gas	Catalog Number		Catalog Number	AC		DC	
<b>NORMALLY CLOSED - Low-Temperature Operation</b>											
1/4	6.4	.45	.45	10	-40 to 40	8327G53	EV8327G55	1	12.0/F	11.6/F	
<b>NORMALLY CLOSED MANUAL RESET - Tamperproof No-Voltage Release</b>											
1/4	6.4	.53	.37	10	-20 to 80	8327G33	--	2	12.0/F	11.6/F	
1/4	6.4	.53	.37	10	-20 to 120	--	EV8327G35	2	12.0/F	11.6/F	

Dimensions: inches (mm)





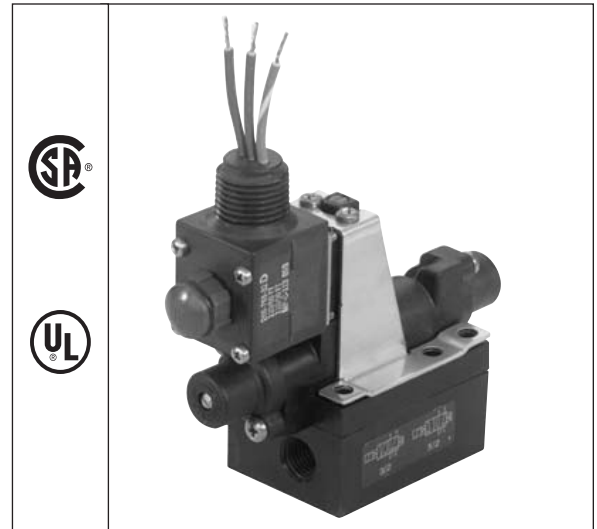
Corrosion Resistant  
**Direct Mount Pilot Valves**  
 Thermoplastic Bodies  
 1/8" and 1/4" NPT



**3/2 • 5/2**  
 SERIES  
**8380/8401**  
 Direct Mount

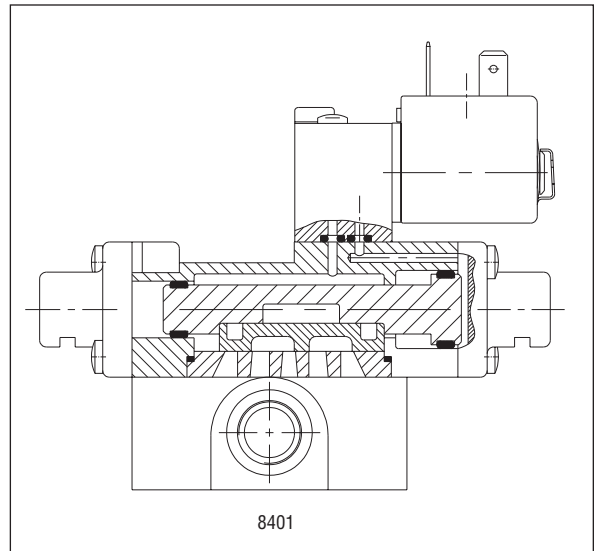
**Features**

- Mount directly to actuators with NAMUR, Keystone, or Worcester interfaces.
- Easy conversion from AC to DC by simply changing coil.
- Standard momentary/maintained manual operator.
- 3/2 is Normally Closed poppet design for spring return actuators.
- 3/2 Normally Closed or 4/2 operation can be selected by rotating sub-base gasket.
- 3/2 Normally Closed or 4/2 valves have built-in linear flow device capable of controlling Cv from 0.10 to 0.50.
- Breather block exhausts to spring side of actuator to prevent corrosion of the actuator.
- Unique CA slide and ceramic flow plate for extra-long life.



**Construction**

Valve Parts in Contact with Fluids	
Core Tube	305 Stainless Steel
Core and Plugnut	430F Stainless Steel
Springs	302 Stainless Steel
Seals	Low-Friction, Low-Wear NBR
Interface Plate	Molded PA
<b>8401 Series Only:</b>	
Pressure Port	303 Stainless Steel
Main and Pilot Body	Molded PA
Spool	CA
Slide	Graphite-filled PTFE
Flow Plate	Ceramic (Alumina)
<b>Worcester Version:</b>	
Main Body and Sub-Base	Anodized Aluminum



**Electrical**

Standard Coil and Class of Insulation	Watt Rating and Power Consumption				Spare Coil Part No.	
	DC Watts	AC				
		Watts	VA Holding	VA Inrush	AC	DC
F	6.9	6.3	8.8	12.1	266763	270008

**Standard Voltages:** 24, 120, 240 volts AC, 60 Hz (or 110, 220 volts AC, 50 Hz). 6, 12, 24, 120, 240 volts DC. Must be specified when ordering. Other voltages available upon request.

**Nominal Ambient Temperature Ranges:**

AC: 0°F to 104°F (-18°C to 40°C), except prefixes "U" and "SC" to 135°F (57°C)  
 DC: 0°F to 77°F (-18°C to 25°C)

**Note:** Below 32°F (0°C), moisture-free air must be used. Consult your local ASCO sales office for lower temperature requirements.

Refer to Engineering Section for details.

**Approvals:**

"WT" - UL recognized component General Purpose Valve, CSA certified.  
 "EF" - UL listed solenoid, CSA certified.  
 "U" and "SC" - UL recognized component, CSA certified.  
 Refer to Engineering Section for details.

**Solenoid Enclosures**

**Standard:** Watertight, Types 1, 2, 3, 3S, 4, and 4X.  
**Optional:** Explosionproof and Watertight, Types 3, 3S, 4, 4X, 6, 6P, 7, and 9. (To order, change "WT" catalog number prefix to "EF". Molded epoxy coil per 3 x DIN 46244. To order, change "WT" catalog number prefix to "SC". Molded epoxy open frame Class F coil with 18" leads. To order, change "WT" catalog number prefix to "U".) See Optional Features Section for other available options.

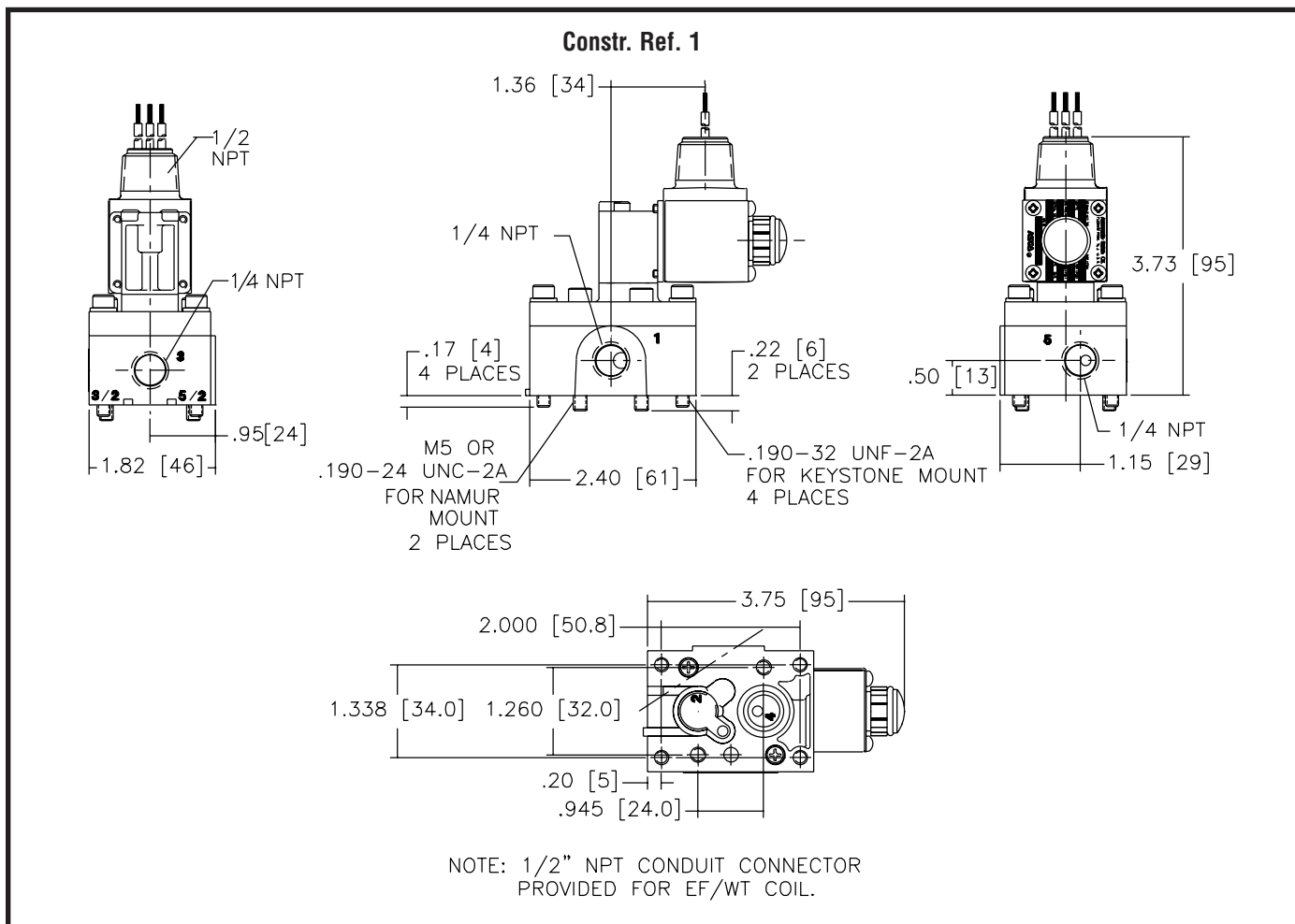
Specifications (English units)

Pipe Size (ins.)	Orifice Size (ins.)	Cv Flow Factor	Main Line Supply Pressure (psi) AC and DC				Catalog Number	Constr. Ref. No.	Interface Type	Watt Rating/ Class of Coil Insulation	
			Air-Inert Gas		Max. Fluid Temp. °F					AC	DC
			Min.	Max.	AC	DC					
<b>3 WAY NORMALLY CLOSED (Closed when de-energized)</b>											
1/4	3/64	.05	0	150	104	77	WT8380B202	1	NAMUR	6.3/F	6.9/F
<b>3 WAY NORMALLY CLOSED or 4 WAY SINGLE SOLENOID</b>											
1/4	1/4	.50	20	150	104	77	WT8401B202M	2	NAMUR	6.3/F	6.9/F
1/4	1/4	.50	20	150	104	77	WT8401B204M	2	Keystone	6.3/F	6.9/F
1/8	1/4	.40	20	135	104	77	WT8401B200M	3	Worcester	6.3/F	6.9/F

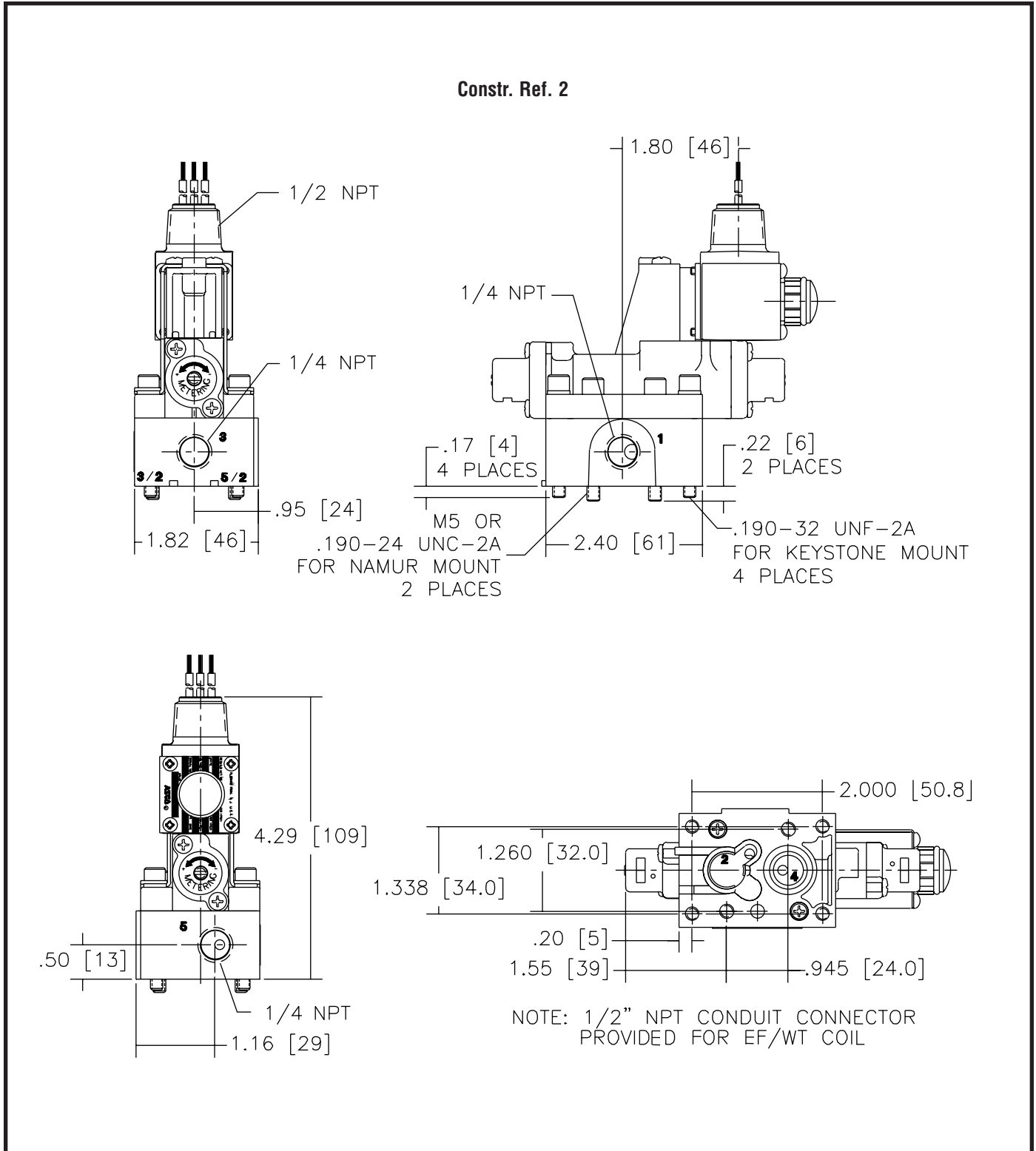
Specifications (Metric units)

Pipe Size (ins.)	Orifice Size (mm)	Kv Flow Factor (m3/h)	Main Line Supply Pressure (bar) AC and DC				Catalog Number	Constr. Ref. No.	Interface Type	Watt Rating/ Class of Coil Insulation	
			Air-Inert Gas		Max. Fluid Temp. °C					AC	DC
			Min.	Max.	AC	DC					
<b>3 WAY NORMALLY CLOSED (Closed when de-energized)</b>											
1/4	1	.04	0	10	40	25	WT8380B202	1	NAMUR	6.3/F	6.9/F
<b>3 WAY NORMALLY CLOSED or 4 WAY SINGLE SOLENOID</b>											
1/4	6	.43	1	10	40	25	WT8401B202M	2	NAMUR	6.3/F	6.9/F
1/4	6	.43	1	10	40	25	WT8401B204M	2	Keystone	6.3/F	6.9/F
1/8	6	.34	1	9	40	25	WT8401B200M	3	Worcester	6.3/F	6.9/F

Dimensions: inches (mm)

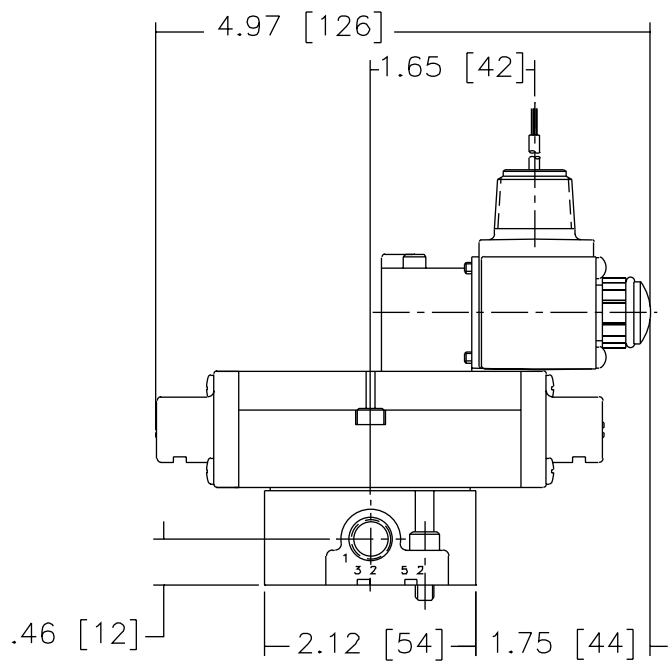
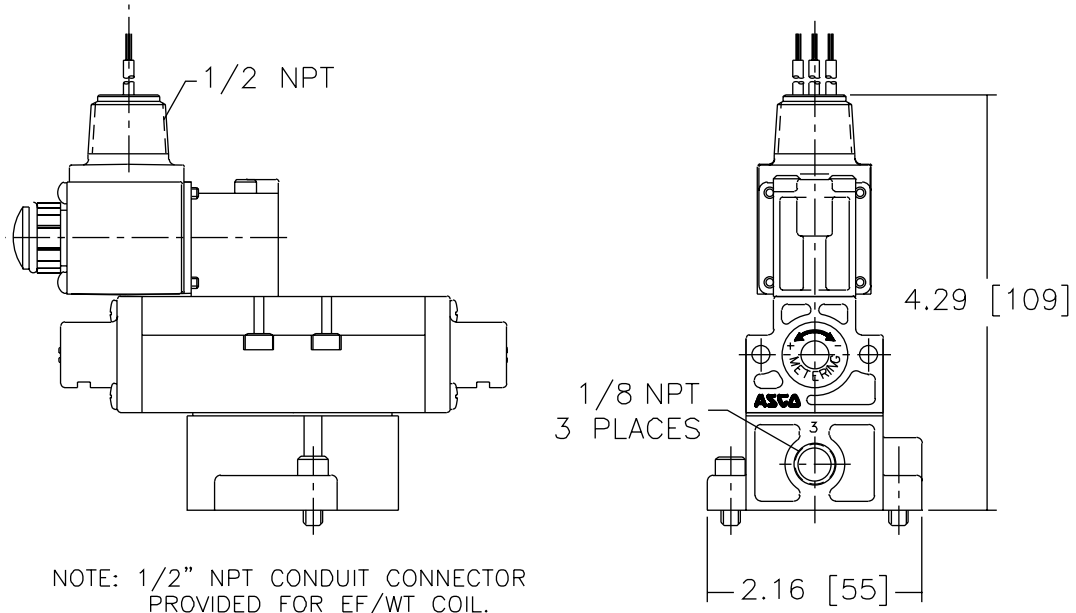


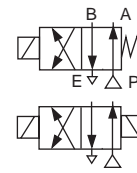
Dimensions: inches (mm)



Dimensions: inches (mm)

Constr. Ref. 3





### Features

- Mechanical detent on dual solenoids holds last position, even after loss of electric power, pneumatics, or pressure.
- No Minimum Operating Pressure Differential required to shift valve.
- NAMUR direct mount version of the rugged, dependable 8342 Series valves.
- Available with single or dual solenoid operation.
- Direct acting, high flow slide-style valve.

### Construction

Valve Parts in Contact with Fluids		
Body	Brass	303 Stainless Steel
Seals and Disc	NBR and FKM	
Core Tube	305 Stainless Steel	
Core and Plugnut	430F Stainless Steel	
Springs	302 Stainless Steel	
Shading Coil	Copper	
Sleeve	PA	
Seats	PTFE	

### Electrical

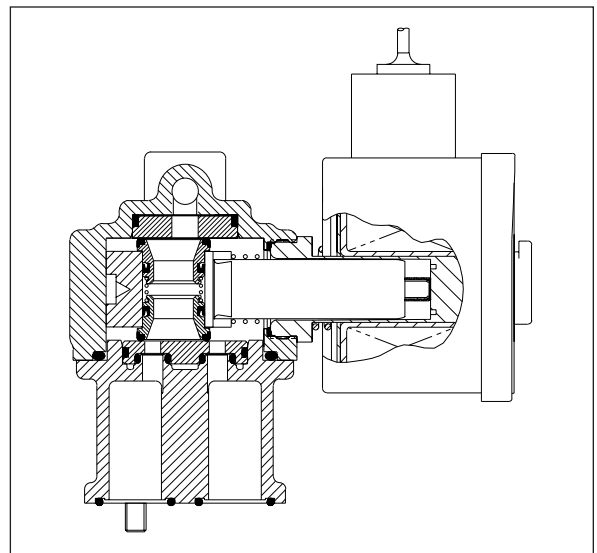
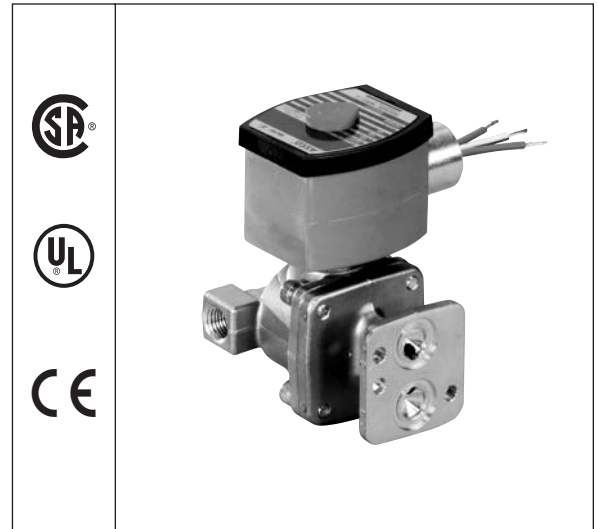
Standard Coil and Class of Insulation	Watt Rating and Power Consumption			Spare Coil Part No.	
	AC			General Purpose	Explosionproof
	Watts	VA Holding	VA Inrush	AC	AC
F	20.1	35	115	272610	272614
F	16.1	45	140	272610	272614

**Standard Voltages:** 24, 120, 240, 480 volts AC, 60 Hz (or 110, 220 volts AC, 50 Hz). Must be specified when ordering. Other voltages, except combinations 120/60 and 110/50, are available when required.

### Solenoid Enclosures

**Standard:** Watertight, Types 1, 2, 3, 3S, 4, and 4X.  
**Optional:** Explosionproof and Watertight, Types 3, 3S, 4, 6, 6P, 4X, 7, and 9. (To order, add prefix "EF" to catalog number.)

*See Optional Features Section for other available options.*



### Nominal Ambient Temperature Ranges:

32°F to 125°F (0°C to 52°C)  
 Refer to Engineering Section for details.

### Approvals:

General Purpose Solenoid: UL recognized component, CSA certified.

Explosionproof Solenoid: UL listed solenoid. CSA certified for use in hazardous locations.  
 (EF Brass)  
 (EV Stainless Steel)

Meets applicable CE directives.  
 Refer to Engineering Section for details.

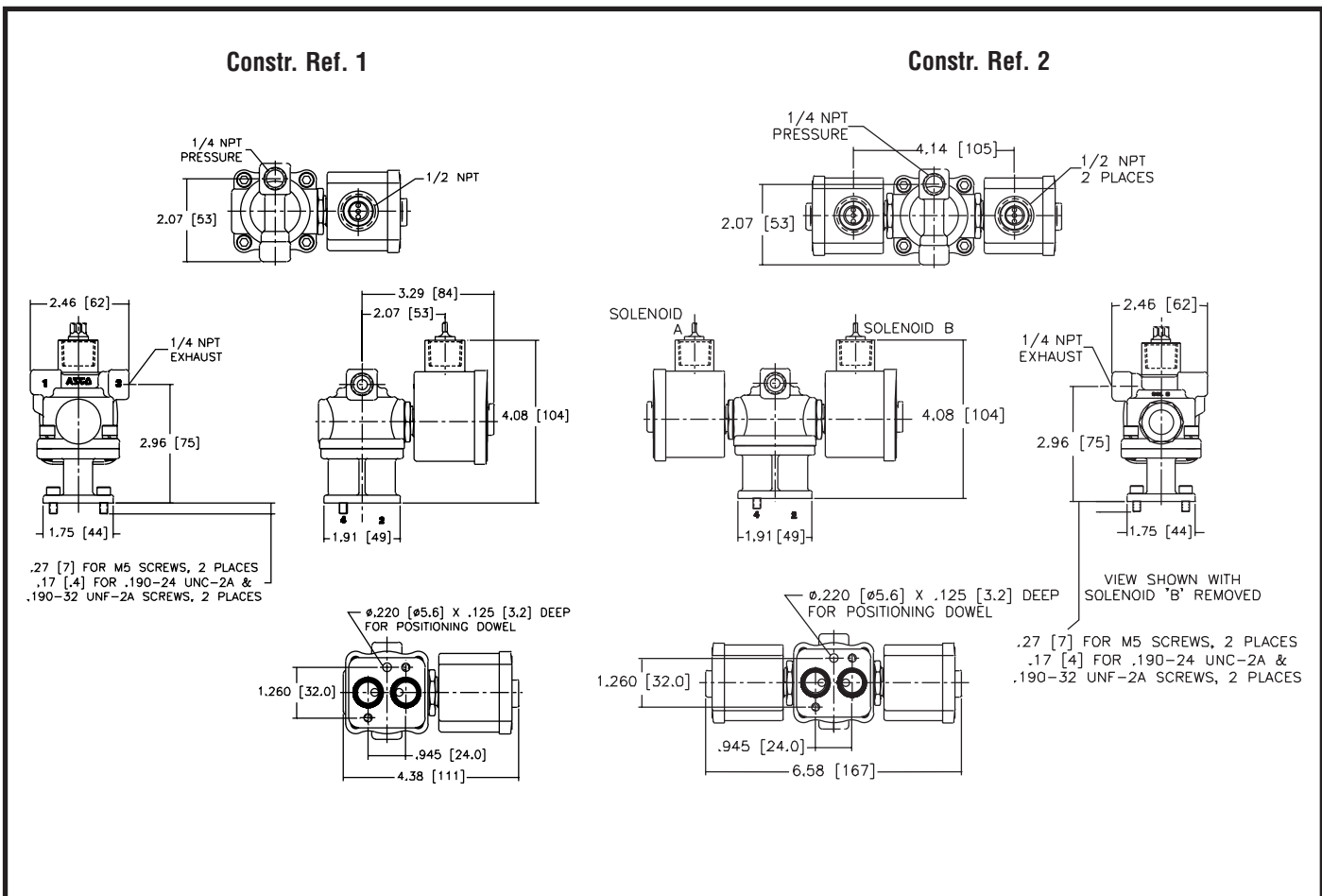
Specifications (English units)

Pipe Size (ins.)	Orifice Size (ins.)	Cv Flow Factor Ports 1-2	Cv Flow Factor Ports 2-3	Maximum Operating Pressure Diff. (psi)	Maximum Fluid Temperature Range °F	Brass Body	Stainless Steel Body	Constr. Ref. No.	Watt Rating/ Class of Coil Insulation
						Catalog Number	Catalog Number		AC
<b>SINGLE SOLENOID</b>									
1/4	3/16	.7	.5	125	160	8342G501	8342G511	1	20.1/F
<b>DUAL SOLENOID</b>									
1/4	3/16	.7	.5	125	160	8342G502	8342G512	2	16.1/F

Specifications (Metric units)

Pipe Size (ins.)	Orifice Size (mm)	Kv Flow Factor Ports 1-2 (m3/h)	Kv Flow Factor Ports 2-3 (m3/h)	Maximum Operating Pressure Diff. (bar)	Maximum Fluid Temperature Range °C	Brass Body	Stainless Steel Body	Constr. Ref. No.	Watt Rating/ Class of Coil Insulation
						Catalog Number	Catalog Number		AC
<b>SINGLE SOLENOID</b>									
1/4	5	.60	.43	9	71	8342G501	8342G511	1	20.1/F
<b>DUAL SOLENOID</b>									
1/4	5	.60	.43	9	71	8342G502	8342G512	2	16.1/F

Dimensions: inches (mm)



### Features

- Compact spool valve convertible from 3/2 to 5/2
- NAMUR mount construction
- Standard manual operator
- DIN, Watertight and Explosionproof solenoids available
- Single and dual solenoid constructions
- Mountable in any position
- Vents air from spring side of actuator to prevent corrosion of actuator

### Construction

Valve Parts in Contact with Fluids	
Body	Black Anodized Aluminum
Spring	Phosphate treated black steel
Shading Coil	Copper
Seals	NBR + PUR
Core and Core Tube	Stainless Steel / Brass
End Covers and Plate	6/6 glass filled PA/FV
Spool	Aluminum
Internal Parts	Zamak, Steel, CA

### Electrical

Standard Coil and Class of Insulation	Enclosure Type	Watt Rating and Power Consumption				Spare Coil Part Number	
		DC Watts	AC Watts	VA Holding	VA Inrush	AC	DC
F	SC	3	2.5	3.5	6	400125	400125
F	SC	6.9	5	7	15	43004649	43004647
F	EF	6.9	6.3	7	10.1	266762	270007
F	WT	6.9	6.3	7	10.1	266763	270008

**Standard Voltages:** SC: 24, 120, 240 Volts AC, 50-60 Hz; 12, 24, 120 Volts DC.  
 WT and EF: 24/50-60HZ, (120/60, 110-120/50)①, (240/60, 220-240/50)② Volts AC;  
 6, 12, 24, 120 Volts DC.  
 ① Order as 120/60, 110/50  
 ② Order as 240/60, 220/50

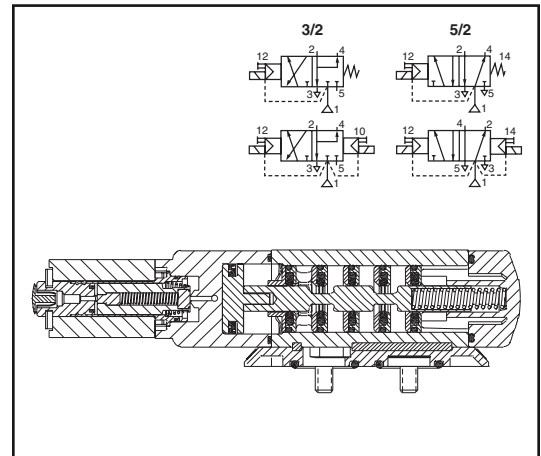
### Solenoid Enclosures

**Standard: - Prefix**

**SC** = IP65 type DIN (open frame) per 46244

**WT** = Combination General Purpose and Watertight Types 1, 2, 3, 3S, 4, and 4X

**EF** = Combination Explosionproof and Watertight Types 3, 3S, 4, 4X, 6, 5P, 7, 9 Class I, Div. 1 (Groups A - D) and Class II, Div. 1 Type 9 (Groups E-G)



VALVE AUTOMATION

### Nominal Ambient Temp. Ranges

**SC:** AC/DC: 5°F to +140°F (-15°C to 60°C)

**EF:** AC: 5°F to +140°F (-15°C to 60°C)  
 DC: 5°F to +77°F (-15°C to 25°C)

**WT:** AC: 5°F to +140°F (-15°C to 60°C)  
 DC: 5°F to +77°F (-15°C to 25°C)

**Note:** For temperatures below 32°F (0°C) moisture-free air must be used.

Refer to Engineering Section for details.

### Approvals

**SC** (2.5W and 3W only) UL recognized component, CSA certified.

**WT:** UL recognized component, CSA certified.

**EF:** UL and CSA solenoid approval.  
 Meets applicable CE directives.

Refer to Engineering Section for details.

### Specifications (English units)

Pipe Size (ins.)	Orifice Size (ins.)	Cv Flow Factor	Operating Pressure Differential (psi)		Fluid Temperature °F (for single and dual solenoid)			Single Solenoid	Dual Solenoid	Const. Ref.	Watt Rating/ Class of Coil Insulation	
			Min.	Max.	Min.	Max. AC	Max. DC	Catalog Number	Catalog Number		AC	DC
<b>OPEN FRAME DIN COIL</b>												
1/4 ①	1/4	.86	30	150	5	140	140	SC8551A001MS	SC8551A002MS	1	2.5	3
1/2	1/2	3.7	30	150	-15	140	140	SC8553A001MS	SC8553A002MS	2	5	6.9
<b>WATERTIGHT ENCLOSURE</b>												
1/4 ①	1/4	.86	30	150	5	140	77	WT8551A001MS	WT8551A002MS	1	6.3	6.9
1/2	1/2	3.7	30	150	-15	140	140	WT8553A001MS	WT8553A002MS	2	6.3	6.9
<b>EXPLOSIONPROOF ENCLOSURE</b>												
1/4 ①	1/4	.86	30	150	5	140	77	EF8551A001MS	EF8551A002MS	1	6.3	6.9
1/2	1/2	3.7	30	150	-15	140	140	EF8553A001MS	EF8553A002MS	2	6.3	6.9

① 1/8 inch NPT exhausts.

### Specifications (Metric units)

Pipe Size (ins.)	Orifice Size (mm)	Kv Flow Factor (m3/h)	Operating Pressure Differential (bar)		Fluid Temperature °C (for single and dual solenoid)			Single Solenoid	Dual Solenoid	Const. Ref.	Watt Rating/ Class of Coil Insulation	
			Min.	Max.	Min.	Max. AC	Max. DC	Catalog Number	Catalog Number		AC	DC
<b>OPEN FRAME DIN COIL</b>												
1/4 ①	6.4	.7	2	10	-15	60	60	SC8551A001MS	SC8551A002MS	1	2.5	3
1/2	13	3.15	2	10	-25	60	60	SC8553A001MS	SC8553A002MS	2	5	6.9
<b>WATERTIGHT ENCLOSURE</b>												
1/4 ①	6.4	.7	2	10	-15	60	25	WT8551A001MS	WT8551A002MS	1	6.3	6.9
1/2	13	3.15	2	10	-25	60	60	WT8553A001MS	WT8553A002MS	2	6.3	6.9
<b>EXPLOSIONPROOF ENCLOSURE</b>												
1/4 ①	6.4	.7	2	10	-15	40	25	EF8551A001MS	EF8551A002MS	1	6.3	6.9
1/2	13	3.15	2	10	-25	60	60	EF8553A001MS	EF8553A002MS	2	6.3	6.9

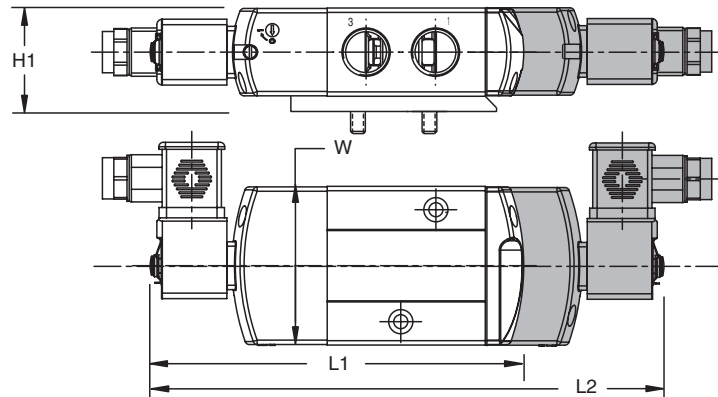
① 1/8 inch NPT exhausts.

## Dimensions inches (mm)

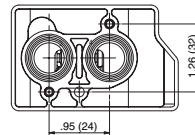
Series	8551
NPT	1/4
L1	5.47 (139)
L2	7.56 (192)
H1	1.30 (33)
W	1.77 (45)

**NOTE: Valve shown with CM22  
DIN terminal coil and connector.  
Connector sold separately.**

**Const. Ref. 1**



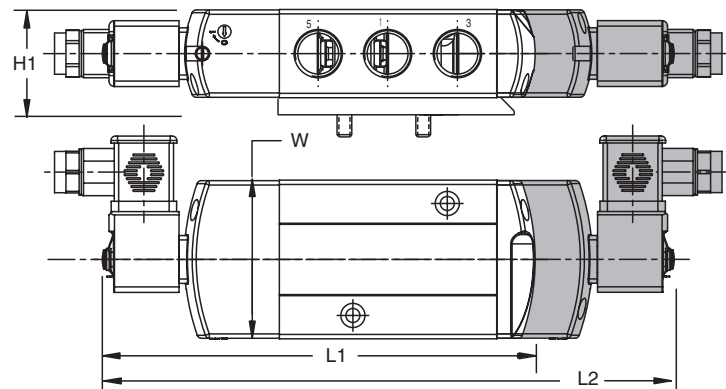
**8551 NAMUR Footprint**



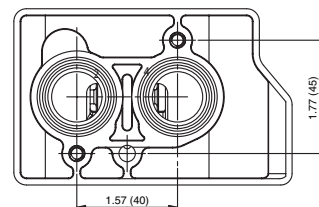
Series	8553
NPT	1/2
L1	7.76 (197)
L2	10.25 (260)
H1	1.94 (49)
W	2.85 (72)

**NOTE: Valve shown with CM22  
DIN terminal coil and connector.  
Connector sold separately.**

**Const. Ref. 2**



**8553 NAMUR Footprint**



### Features

- Compact Spool Valve convertible from 3/2 to 5/2 with flow plates
- Mount directly to actuators with NAMUR interface per VDI/VDE 3845
- Single and dual solenoid constructions available
- Integral Breather Block vents to spring side of actuator to exhaust, preventing corrosion of the actuator
- Unique design combines hard T-seals and flexible o-rings, provides bubble-tight shutoff, resistance to dirt and multimillion cycle life controlling air or inert gas
- Low Power and Intrinsically Safe construction available  
*See Special Service Pilot Valve Section for details*

### Construction

Valve Parts in Contact with Fluids			
<b>Body</b>	Aluminum, Black Anodized	Brass	316L Stainless Steel
<b>End Cover (Spring end)</b>	Glass-filled Polyamide	Brass	316L Stainless Steel
<b>Spool Valve Internals</b>	Zamak, Stainless Steel, Acetal (POM), Aluminum	Brass, Acetal (POM), Delrin	
<b>Pilot End Covers</b>	Aluminum, Black Anodized	Brass	316L Stainless Steel
<b>Core Tube</b>	Stainless Steel		
<b>Core and Plugnut</b>	Stainless Steel		
<b>Springs</b>	Stainless Steel		
<b>Seals and Discs</b>	NBR		
<b>Top Disc</b>	Nylon (PA)		
<b>Core Guide</b>	Acetal		
<b>Seat and Seat Insert</b>	Brass, Acetal		
<b>Shading Coil</b>	Copper		
<b>Rider Ring (low power)</b>	PTFE		

### Electrical

Standard Coil and Class of Insulation	Watt Rating and Power Consumption				Spare Coil Part Number			
	DC Watts	AC			General Purpose		Explosionproof	
		Watts	VA Holding	VA Inrush	AC	DC	AC	DC
F	11.6	10.1	25	50	238610	238710	238614	238714

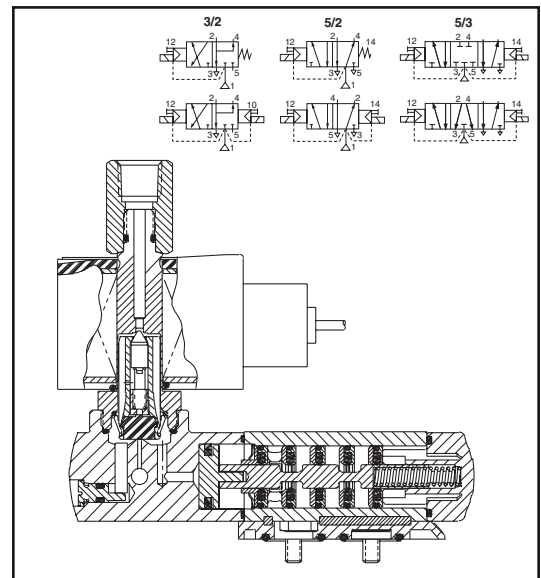
**Standard Voltages:** 24, 120, 240, 480 volts AC, 60 Hz (110, 220 volts AC, 50 Hz).  
 6, 12, 24, 120, 240 volts DC. Must be specified when ordering.  
 Other voltages are available when required.

### Solenoid Enclosures

**Standard:** Watertight, Types 1, 2, 3, 3S, 4, and 4X.

**Optional:** Explosionproof and Watertight, Types 3, 3S, 4, 4X, 6, 6P, 7, and 9. (To order, add prefix "EF" or "EV" for stainless steel) to catalog number.)

*See Optional Features Section for other available options.*



VALVE AUTOMATION

### Nominal Ambient Temp. Ranges

Body Material	Description
<b>Aluminum</b>	AC: 5°F to 125°F (-15°C to 52°C) DC: 5°F to 104°F (-15°C to 40°C)
<b>Brass</b>	AC: -40°F to 125°F (-40°C to 52°C)
<b>Stainless Steel</b>	DC: -40°F to 104°F (-40°C to 40°C)

### Approvals

UL/CSA approvals for aluminum constructions pending. EF and EV are UL listed solenoids. CSA certified. Meet applicable CE directives.

*Refer to Engineering Section for details.*

### Specifications (English units)

Body Material	Pipe Size (ins.)	Orifice Size (ins.)	Cv Flow Factor	Single Solenoid						Dual Solenoid											
				Operating Pressure Differential (psi)			Max. Fluid Temp. °F			Catalog Number	Const. Ref.	Operating Pressure Differential (psi)			Max. Fluid Temp. °F			Catalog Number	Const. Ref.	Watt Rating/Class of Coil Insulation	
				Air-Inert Gas			Temp. °F					Air-Inert Gas			Temp. °F					AC	DC
				Min.	Max. AC	Max. DC	AC	DC	AC	DC	Min.	Max. AC	Max. DC	AC	DC	AC	DC				
Aluminum 3/2, 5/2	1/4 ①	1/4	.86	30	150	120	140	120	8551G401	1	30	150	120	140	120	8551G402	1	10.1/F	11.6/F		
Aluminum 5/3 Center Closed									-	2						8551G465	2				
Aluminum 5/3 Center Open									-	2						8551G466	2				
Brass 3/2, 5/2									EF8551G403 ②	1						EF8551G404 ②	1				
316L Stainless Steel 3/2, 5/2									EV8551G409 ③	2						EV8551G410 ③	2				
Aluminum 3/2, 5/2									8553G401	2						8553G402	2				

① 1/8 inch NPT exhaust for aluminum and brass. ② Brass construction supplied standard with EF solenoid. ③ Stainless steel construction supplied standard with EV solenoid.

### Specifications (Metric units)

Body Material	Pipe Size (ins.)	Orifice Size (mm)	Kv Flow Factor (m3/h)	Single Solenoid						Dual Solenoid											
				Operating Pressure Differential (bar)			Max. Fluid Temp. °C			Catalog Number	Const. Ref.	Operating Pressure Differential (bar)			Max. Fluid Temp. °C			Catalog Number	Const. Ref.	Watt Rating/Class of Coil Insulation	
				Air-Inert Gas			Temp. °C					Air-Inert Gas			Temp. °C					AC	DC
				Min.	Max. AC	Max. DC	AC	DC	AC	DC	Min.	Max. AC	Max. DC	AC	DC	AC	DC				
Aluminum 3/2, 5/2	1/4 ①	6.4	.7	2	10	8.2	60	48	8551G401	1	2	10	8.2	60	48	8551G402	1	10.1/F	11.6/F		
Aluminum 5/3 Center Closed									-	2						8551G465	2				
Aluminum 5/3 Center Open									-	2						8551G466	2				
Brass 3/2, 5/2									EF8551G403 ②	1						EF8551G404 ②	1				
316L Stainless Steel 3/2, 5/2									EV8551G409 ③	2						EV8551G410 ③	2				
Aluminum 3/2, 5/2									8553G401	2						8553G402	2				

① 1/8 inch NPT exhaust for aluminum and brass. ② Brass construction supplied standard with EF solenoid. ③ Stainless steel construction supplied standard with EV solenoid.

## Dimensions inches (mm)

Series	8551
NPT	1/4
L1 ①	4.96 (126)
L2 ①	6.50 (165)
H2	4.38 (111)
H1	1.57 (40)
W	1.77 (45)

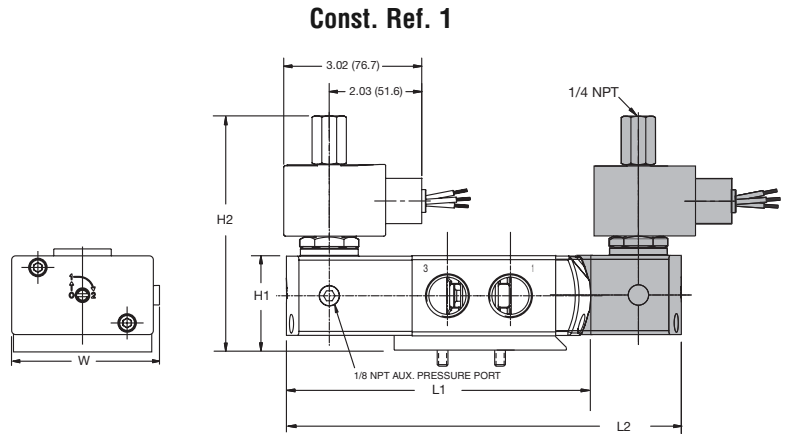
① Manual override option MH adds .250" (6.4), MS option adds .468" (11.9) to each solenoid endcap.

Optional Manual Operators		
Add Suffix		Description
MO		Push and turn to lock with flat head screwdriver slot
MI		Momentary push in with flat head screwdriver slot
MH		Momentary push in by hand
MS		Push and turn to lock by hand

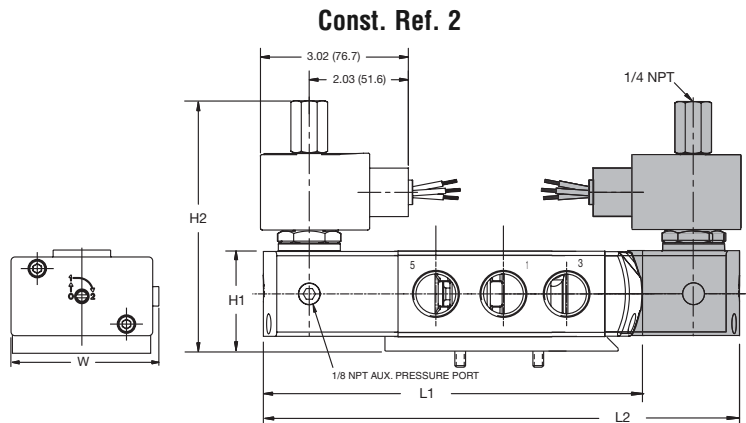
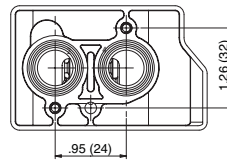
Series	8551 (5/3)	8553
NPT	1/4	1/2
L1 ①	-	7.09 (180)
L2 ①	7.44 (189)	8.85 (225)
H2	4.38 (111)	4.77 (121)
H1	1.57 (40)	2.08 (53)
W	1.77 (45)	2.87 (73)

① Manual override option MH adds .250" (6.4), MS option adds .468" (11.9) to each solenoid endcap.

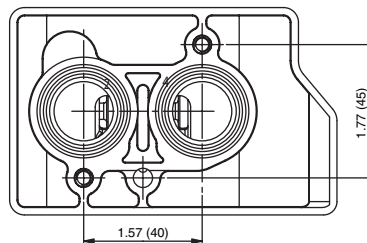
Optional Manual Operators		
Add Suffix		Description
MO		Push and turn to lock with flat head screwdriver slot
MI		Momentary push in with flat head screwdriver slot
MH		Momentary push in by hand
MS		Push and turn to lock by hand



**8551 NAMUR Footprint**



**8553 NAMUR Footprint**



**8551 NAMUR Footprint**

