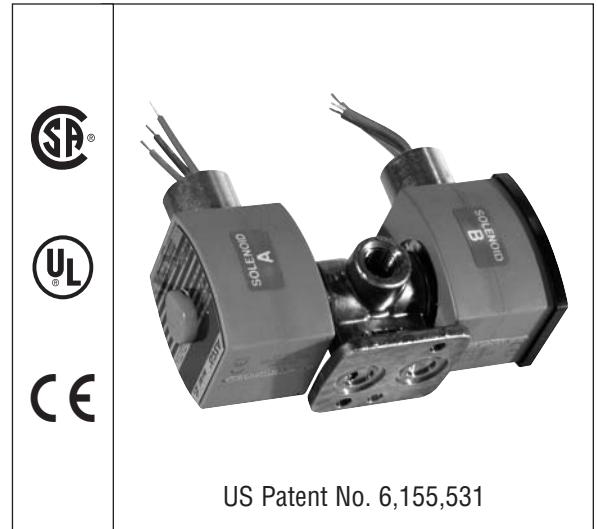


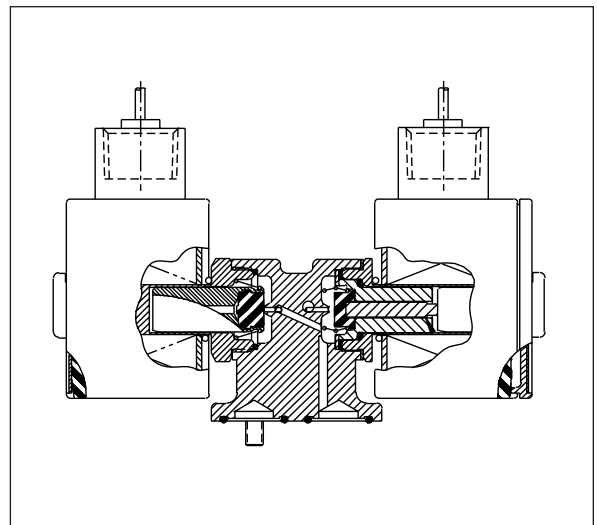
Features

- Unique 3 way design for locking quarter turn actuators in multiple positions for applications which require modulated flow.
- Solenoids can be pulsed independently to bleed air into or out of actuator for fine positioning.
- Direct acting on/off construction.
- Namur mount construction reduces complex piping arrangements.
- 10X32, 10X24, M5 hardware supplied.



Construction

| Valve Parts in Contact with Fluids | | |
|------------------------------------|----------------------|---------------------|
| Body | Brass | 303 Stainless Steel |
| Seals and Discs | NBR | |
| Core Tube | 305 Stainless Steel | |
| Core and Plugnut | 430F Stainless Steel | |
| Core Springs | 302 Stainless Steel | |
| Shading Coil | Copper | Silver |
| Disc-Holder | CA | |
| Core Guide | CA | |



Electrical

| Standard Coil and Class of Insulation | Watt Rating and Power Consumption | | | | Spare Coil Part No. | | | |
|---------------------------------------|-----------------------------------|-------|------------|-----------|---------------------|--------|----------------|--------|
| | DC Watts | AC | | | General Purpose | | Explosionproof | |
| | | Watts | VA Holding | VA Inrush | AC | DC | AC | DC |
| F | 11.6 | 10.1 | 25 | 50 | 238610 | 238710 | 238614 | 238714 |

Standard: 24, 120, 240, 480 volts AC, (or 100, 200 volts AC, 50 Hz)
6, 12, 24, 120, 240 volts DC. Must be specified when ordering. Other voltages available when required.

Options:

Explosion proof solenoids are available
Prefix EF - Brass
Prefix EV - Stainless Steel
All other Red-Hat Solenoid options are available.
Optional elastomer contact ASCO.

Nominal Ambient Temperature Ranges:

AC: 32°F to 125°F (0°C to 52°C)
DC: 32°F to 104°F (0°C to 40°C)
Refer to Engineering Section for details.

Solenoid Enclosures

| |
|---|
| Standard: Watertight, Types 1, 2, 3, 3S, 4, and 4X. |
| Optional: Explosion proof and Watertight, Types 3, 3S, 4 and 4X, 6, 6P, 7 and 9. |

Approvals:

UL recognized component. CSA certified.
Meets applicable CE directives.
Refer to Engineering Section for details.

Specifications (English units)

| Pipe Size (ins.) | Orifice Size (ins.) | Cv Flow Factor | Operating Pressure Differential (psi) | | Max. Fluid Temp. °F | | Brass Body | Stainless Steel Body | Watt Rating/ Class of Coil Insulation | |
|------------------|---------------------|----------------|---------------------------------------|---------|---------------------|-----|------------|----------------------|---------------------------------------|--------|
| | | | Max. AC | Max. DC | AC | DC | | | AC | DC |
| | | | | | | | | | | |
| 1/4 | 1/16 | .09 | 150 | 125 | 140 | 120 | 8320G706 | 8320G716 | 10.1/F | 11.6/F |
| 1/4 | 3/32 | .12 | 120 | 100 | 140 | 120 | 8320G707 | 8320G717 | 10.1/F | 11.6/F |
| 1/4 | 1/8 | .25 | 100 | 65 | 140 | 120 | 8320G708 | 8320G718 | 10.1/F | 11.6/F |

Specifications (Metric units)

| Pipe Size (ins.) | Orifice Size (mm) | Kv Flow Factor | Operating Pressure Differential (bar) | | Max. Fluid Temp. °C | | Brass Body | Stainless Steel Body | Watt Rating/ Class of Coil Insulation | |
|------------------|-------------------|----------------|---------------------------------------|---------|---------------------|----|------------|----------------------|---------------------------------------|--------|
| | | | Max. AC | Max. DC | AC | DC | | | AC | DC |
| | | | | | | | | | | |
| 1/4 | 1.6 | .07 | 10 | 9 | 60 | 50 | 8320G706 | 8320G716 | 10.1/F | 11.6/F |
| 1/4 | 2.4 | .10 | 8 | 6.9 | 60 | 50 | 8320G707 | 8320G717 | 10.1/F | 11.6/F |
| 1/4 | 3.2 | .16 | 6.9 | 4 | 60 | 50 | 8320G708 | 8320G718 | 10.1/F | 11.6/F |

Dimensions: inches (mm)

