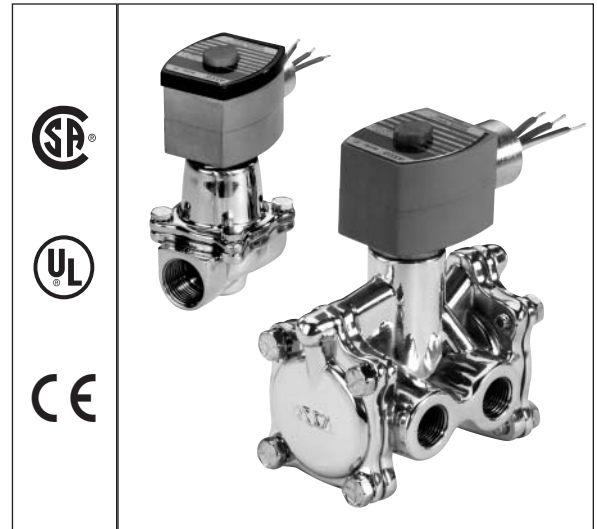


Features

- Design eliminates metal-to-metal contact to extend life up to 20 million cycles in dry air or gas applications.
- Internal AC hum and metallic click at energization are eliminated. Quiet operating.
- Easily handles applications involving rapid cycling or continuous energization.



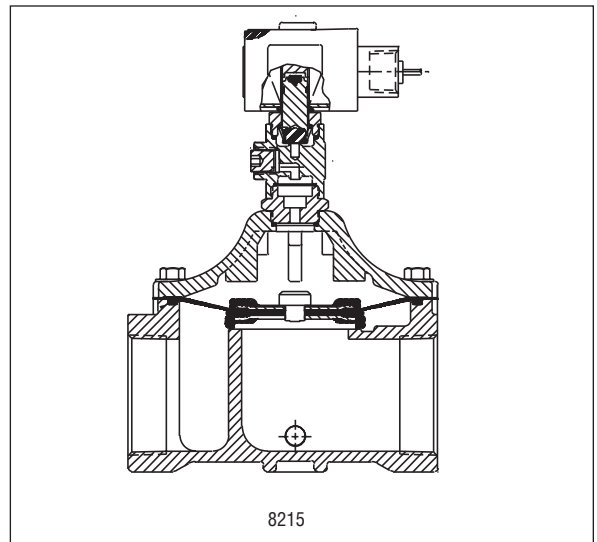
Construction

Valve Parts in Contact with Fluids	
Core Bumpers	UR
Rider Rings	PTFE
<i>For more information, see Individual Series in General Service Valve Section.</i>	

Electrical

Standard Coil and Class of Insulation	Watt Rating and Power Consumption				Spare Coil Part Number	
	DC Watts	AC			General Purpose	Explosionproof
		Watts	VA Holding	VA Inrush	AC	AC
F	①	15.1	22	22	270110	270114

Standard Voltages: 24, 120, 240, 480 volts AC, 60 Hz (or 110, 220 volts AC, 50 Hz). Must be specified when ordering.
Note: ① Consult your local ASCO sales office for DC voltages.



Solenoid Enclosures

Standard: Watertight, Types 1, 2, 3, 3S, 4, and 4X.
Optional: Explosionproof and Watertight, Types 3, 3S, 4, 4X, 6, 6P, 7, and 9.
 (To order, add prefix "EF" to catalog number.)
 See *Optional Features Section* for other available options.

Nominal Ambient Temperature Ranges:

32°F to 104°F (0°C to 40°C)

Refer to *Engineering Section* for details.

Approvals:

CSA certified. UL listed General Purpose Valves. Meets applicable CE directives.

Installation:

For optimum life, the valve should be installed with the solenoid positioned upright and vertical.
 Refer to *Engineering Section* for details.

Specifications (English units)

Pipe Size (ins.)	Orifice Size (ins.)	Cv Flow Factor	Operating Pressure Differential (psi)		Max. Fluid Temp. °F	Brass Body Catalog Number	Aluminum Body Catalog Number	Watt Rating/ Class of Coil Insulation AC
			Min.	Max. AC Air-Inert Gas				
2/2 VALVES								
5 MILLION CYCLE CAPABILITY								
NORMALLY CLOSED (Closed when de-energized)								
3/8	5/8	3	5	125	140	8210G1Q	-	15.1/F
1/2	5/8	4	5	125	140	8210G2Q	-	15.1/F
3/4	3/4	4.5	5	125	140	8210G9Q	-	15.1/F
1	1 5/8	13	1	20	140	-	8215G95Q	15.1/F
1 1/4	1 5/8	15	1	20	140	-	8215G96Q	15.1/F
1 1/2	1 5/8	20	1	20	140	-	8215G97Q	15.1/F
2	2 3/32	34	1	20	140	-	8215G98Q	15.1/F
NORMALLY OPEN (Open when de-energized)								
3/8	5/8	3	5	125	140	8210G11Q	-	15.1/F
1/2	5/8	4	5	125	140	8210G12Q	-	15.1/F
3/4	3/4	4.5	5	125	140	8210G13Q	-	15.1/F
1	1 5/8	13	1	20	140	-	8215G99Q	15.1/F
1 1/4	1 5/8	15	1	20	140	-	8215G100Q	15.1/F
1 1/2	1 5/8	20	1	20	140	-	8215G101Q	15.1/F
2	2 3/32	34	1	20	140	-	8215G102Q	15.1/F
20 MILLION CYCLE CAPABILITY								
NORMALLY CLOSED (Closed when de-energized)								
1/8	1/8	.35	0	125	140	8262G77Q	-	15.1/F
1/4	1/8	.35	0	125	140	8262G232Q	-	15.1/F
1/4	7/32	.85	0	50	140	8262G208Q	-	15.1/F
NORMALLY OPEN (Open when de-energized)								
1/8	1/16	.09	0	125	140	8262G91Q	-	15.1/F
1/4	1/16	.09	0	125	140	8262G32Q	-	15.1/F
3/2 VALVES								
5 MILLION CYCLE CAPABILITY								
NORMALLY CLOSED (Closed when de-energized)								
3/8	5/8	3	10	125	140	8316G14Q ②	-	15.1/F
1/2	5/8	4	10	125	140	8316G24Q ②	-	15.1/F
NORMALLY OPEN (Open when de-energized)								
3/8	5/8	3	10	125	140	8316G16Q ②	-	15.1/F
1/2	5/8	4	10	125	140	8316G26Q ②	-	15.1/F
20 MILLION CYCLE CAPABILITY								
UNIVERSAL OPERATION (Pressure at any port)								
1/8	1/16	.09	0	70	140	8320G1Q	-	15.1/F
1/4	1/16	.09	0	70	140	8320G172Q	-	15.1/F
1/4	3/32	.15	0	40	140	8320G174Q	-	15.1/F
NORMALLY CLOSED (Closed when de-energized)								
1/8	1/16	.09	0	125	140	8320G13Q	-	15.1/F
1/4	1/16	.09	0	125	140	8320G182Q	-	15.1/F
1/4	1/8	.31	0	35	140	8320G186Q	-	15.1/F
NORMALLY OPEN (Open when de-energized)								
1/8	1/16	.09	0	125	140	8320G27Q	-	15.1/F
1/4	1/16	.09	0	125	140	8320G192Q	-	15.1/F
1/4	1/8	.31	0	35	140	8320G196Q	-	15.1/F
4/2 VALVES								
5 MILLION CYCLE CAPABILITY								
SINGLE SOLENOID								
1/4	1/4	.53	10	125	140	8344G70Q ②	-	15.1/F
3/8	1/4	.53	10	125	140	8344G1Q ②	-	15.1/F
1/2	3/8	1.3	10	125	140	8344G74Q ②	-	15.1/F
20 MILLION CYCLE CAPABILITY								
SINGLE SOLENOID								
1/4	1/16	①	10	100	140	8345G2Q ②	-	15.1/F

Notes: ① Inlet Cv is 0.036; exhaust Cv is 0.092.

② **IMPORTANT:** A Minimum Operating Pressure Differential must be maintained between the pressure and exhaust ports. Supply and exhaust piping must be full area, unrestricted. ASCO flow controls and other similar components must be installed in the cylinder lines only.

Specifications (Metric units)

Pipe Size (ins.)	Orifice Size (mm)	Kv Flow Factor (m3/h)	Operating Pressure Differential (bar)		Max. Fluid Temp. °C	Brass Body Catalog Number	Aluminum Body Catalog Number	Watt Rating/Class of Coil Insulation
			Min.	Max. AC Air-Inert Gas				
2/2 VALVES								
5 MILLION CYCLE CAPABILITY								
NORMALLY CLOSED (Closed when de-energized)								
3/8	16	2.57	0.3	8.6	59	8210G1Q	-	15.1/F
1/2	16	3.43	0.3	8.6	59	8210G2Q	-	15.1/F
3/4	19	3.86	0.3	8.6	59	8210G9Q	-	15.1/F
1	41	11.14	0.1	1.4	59	-	8215G95Q	15.1/F
1 1/4	41	12.86	0.1	1.4	59	-	8215G96Q	15.1/F
1 1/2	41	17.14	0.1	1.4	59	-	8215G97Q	15.1/F
2	53	29.14	0.1	1.4	59	-	8215G98Q	15.1/F
NORMALLY OPEN (Open when de-energized)								
3/8	16	2.57	0.3	8.6	59	8210G11Q	-	15.1/F
1/2	16	3.43	0.3	8.6	59	8210G12Q	-	15.1/F
3/4	19	3.86	0.3	8.6	59	8210G13Q	-	15.1/F
1	41	11.14	0.1	1.4	59	-	8215G99Q	15.1/F
1 1/4	41	12.86	0.1	1.4	59	-	8215G100Q	15.1/F
1 1/2	41	17.14	0.1	1.4	59	-	8215G101Q	15.1/F
2	53	29.14	0.1	1.4	59	-	8215G102Q	15.1/F
20 MILLION CYCLE CAPABILITY								
NORMALLY CLOSED (Closed when de-energized)								
1/8	3	.30	0.0	8.6	59	8262G77Q	-	15.1/F
1/4	3	.30	0.0	8.6	59	8262G232Q	-	15.1/F
1/4	6	.72	0.0	3.4	59	8262G208Q	-	15.1/F
NORMALLY OPEN (Open when de-energized)								
1/8	2	.08	0.0	8.6	59	8262G91Q	-	15.1/F
1/4	2	.08	0.0	8.6	59	8262G32Q	-	15.1/F
3/2 VALVES								
5 MILLION CYCLE CAPABILITY								
NORMALLY CLOSED (Closed when de-energized)								
3/8	16	2.57	0.7	8.6	59	8316G14Q ②	-	15.1/F
1/2	16	3.43	0.7	8.6	59	8316G24Q ②	-	15.1/F
NORMALLY OPEN (Open when de-energized)								
3/8	16	2.57	0.7	8.6	59	8316G16Q ②	-	15.1/F
1/2	16	3.43	0.7	8.6	59	8316G26Q ②	-	15.1/F
20 MILLION CYCLE CAPABILITY								
UNIVERSAL OPERATION (Pressure at any port)								
1/8	2	.08	0.0	4.8	59	8320G1Q	-	15.1/F
1/4	2	.08	0.0	4.8	59	8320G172Q	-	15.1/F
1/4	2	.13	0.0	2.8	59	8320G174Q	-	15.1/F
NORMALLY CLOSED (Closed when de-energized)								
1/8	2	.08	0.0	8.6	59	8320G13Q	-	15.1/F
1/4	2	.08	0.0	8.6	59	8320G182Q	-	15.1/F
1/4	3	.27	0.0	2.4	59	8320G186Q	-	15.1/F
NORMALLY OPEN (Open when de-energized)								
1/8	2	.08	0.0	8.6	59	8320G27Q	-	15.1/F
1/4	2	.08	0.0	8.6	59	8320G192Q	-	15.1/F
1/4	3	.27	0.0	2.4	59	8320G196Q	-	15.1/F
4/2 VALVES								
5 MILLION CYCLE CAPABILITY								
SINGLE SOLENOID								
1/4	6	.45	0.7	8.6	59	8344G70Q ②	-	15.1/F
3/8	6	.45	0.7	8.6	59	8344G1Q ②	-	15.1/F
1/2	10	1.11	0.7	8.6	59	8344G74Q ②	-	15.1/F
20 MILLION CYCLE CAPABILITY								
SINGLE SOLENOID								
1/4	2	①	0.7	6.9	59	8345G2Q ②	-	15.1/F

Notes: ① Inlet Kv is 0.031; exhaust Kv is 0.079.

② **IMPORTANT:** A Minimum Operating Pressure Differential must be maintained between the pressure and exhaust ports. Supply and exhaust piping must be full area, unrestricted. ASCO flow controls and other similar components must be installed in the cylinder lines only.

Dimensions: inches (mm)

Note: *Please see General Service Section for applicable 2 way, 3 way and 4 way valve dimensions.*